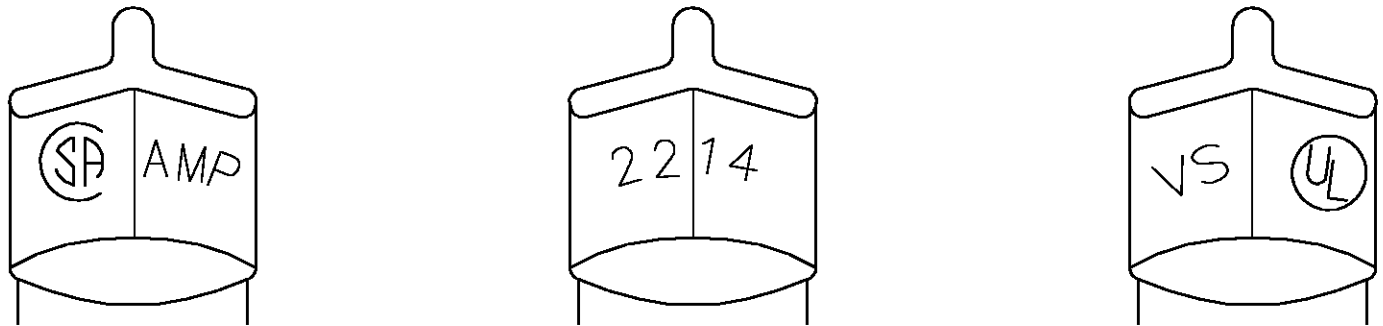


THIS DRAWING IS UNPUBLISHED. RELEASED FOR PUBLICATION
 © COPYRIGHT - BY TYCO ELECTRONICS CORPORATION. ALL RIGHTS RESERVED.

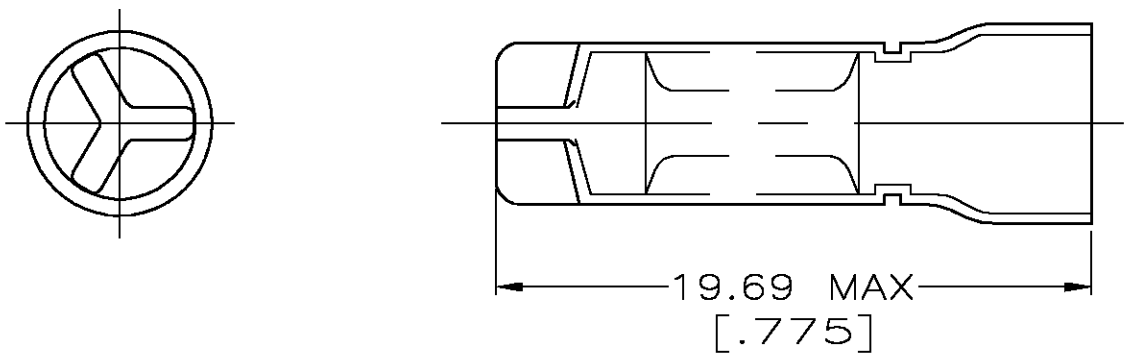
LOC	DIST	REVISIONS					
		P	LTR	DESCRIPTION	DATE	DWN	APVD
G	14		AB	REV PER 0G3A-0674-04	25AUG04	JR	TM

AMP WIRE RANGE	Listed FILE E13288	LR7189 Certified
22-14 AWG SOLID OR STRANDED	22-14 AWG SOLID OR STRANDED	22-14 AWG SOLID OR STRANDED



STAMPING DETAIL

- 1 FOR 5.97 [.235] MAX WIRE INSULATION DIA
- MATERIAL: BODY - COPPER
INSULATION - PVC



COLOR	QTY	DESCRIPTION	PART NO
WHITE	2500	ON TAPE, REEL	2-328375-7
PURPLE	-	LOOSE PIECE	2-328375-3

AMP INCORPORATED CUSTOMER SERVICE SYSTEMS		MAX RECOMMENDED OPERATING TEMPERATURE: 90 °C	THIS DRAWING IS A CONTROLLED DOCUMENT.		DWN S. GOULDEN 1-27-93	Tyco Electronics Corporation Harrisburg, Pa 17105-3608		
FOR ADDITIONAL PRODUCT INFORMATION OR COPIES OF DRAWINGS AND TECHNICAL DOCUMENTS	PRODUCT INFORMATION CENTER 1-800-522-6752	VOLTAGE RATING: 300V MAX	DIMENSIONS: INCHES	TOLERANCES UNLESS OTHERWISE SPECIFIED:	CHK R HERSEY 1-27-93	NAME SPLICE, WIRE, CLOSED END		
FOR APPLICATION TOOLING INFORMATION	TOOLING ASSISTANCE CENTER 1-800-722-1111	CIRCULAR MIL AREA: 0.26-2.62mm ² [509-5180] SOLID OR STRANDED		0 PLC ± - 1 PLC ± - 2 PLC ± 0.20 [.008] 3 PLC ± - 4 PLC ± - ANGLES ± -	APVD M ELLIS 1-27-93	PRODUCT SPEC	SIZE	
FOR ORDER ENTRY	1-800-526-5142	THIS DRAWING IS A CONTROLLED DOCUMENT FOR AMP INCORPORATED. IT IS SUBJECT TO CHANGE AND THE CONTROLLING ENGINEERING ORGANIZATION SHOULD BE CONTACTED FOR THE LATEST REVISION.	MATERIAL 	FINISH -	APPLICATION SPEC	APPLICATION SPEC	CAGE CODE	
					WEIGHT -	RESTRICTED TO -	DRAWING NO A3 00779 C-328375	
CUSTOMER DRAWING						SCALE 4:1	SHEET 1 OF 1	REV AB